

**DIN5
DIN5-2
DIN-102
DIN8**

DIN Rail Mounted I/O Sockets

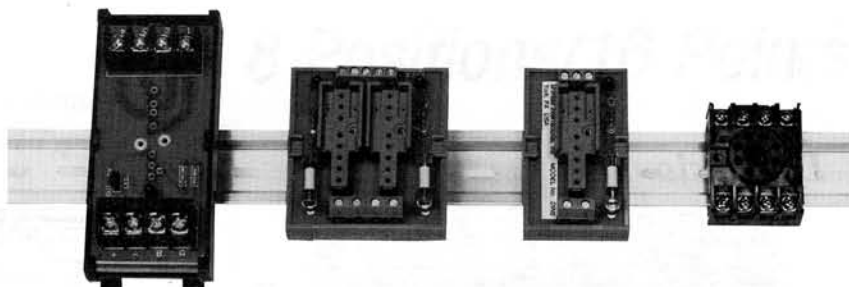
Description

DIN Rail mounted sockets offer single and Dual module mounting with screw terminations for control and field wiring.

The DIN-102 socket has a universal hole pattern to accept all Single and Dual I/O Module types currently available. See the *Socket Compatibility Chart* shown at right for specific module types.

The DIN8 socket is specific to 8-pin octal plug-ins and can be either panel mounted or DIN Rail mounted.

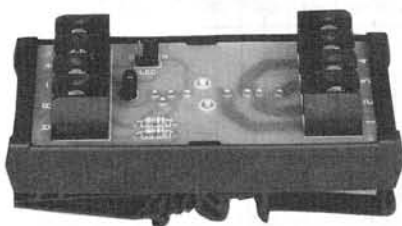
(Photo above shown left to right: DIN-102, DIN5-2, DIN5 and DIN8).



Socket Compatibility Chart

	DIN5 DIN5-2	DIN-102	DIN8
Standard 0.6" Case	x	x	
OAC/ODC/IDC/IAC	x	x	
70 Types	x	x	
"SM" Types	x	x	
"M" Types	x	x	
70M Types	x	x	
G-Series		x	
G4 Types		x	
70G/G5 Types		x	
C4 Types		x	
DUAL Gx2™-Series		x	
P8 Series 8 Pin Octal			x
Features	LED Indicator(s)	Universal Hole Pattern LED Jumper	Surface or DIN Rail Mounted
DIN RAIL Type(s)	15, 32, 35mm	32, 35mm	35mm

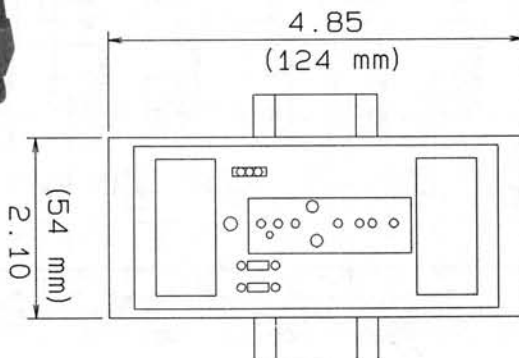
DIN-102



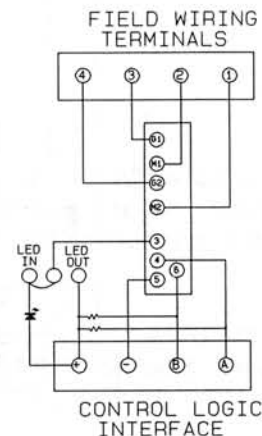
Dimensions are in inches except where noted otherwise.

Note: DIN-102 is available without pull-up resistors. Add -PDO to part number.

Dimensions



Schematic

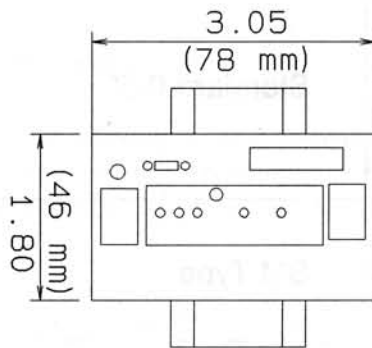


DIN Rail Mounted I/O Sockets

**DIN5
DIN5-2
DIN-102
DIN8**

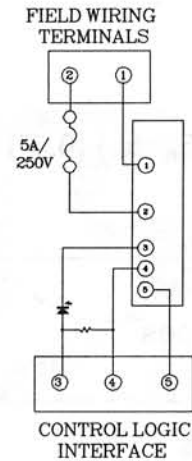
DIN5

Dimensions



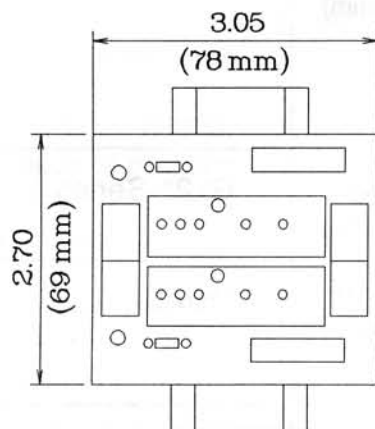
Note: DIN5 is available without pull-up resistor.
Add "-PDO" Option to Part Number.

Schematic



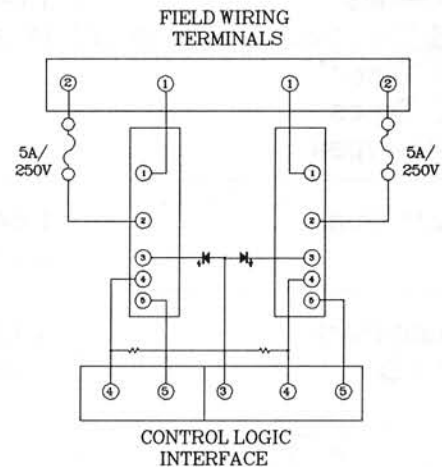
DIN5-2

Dimensions

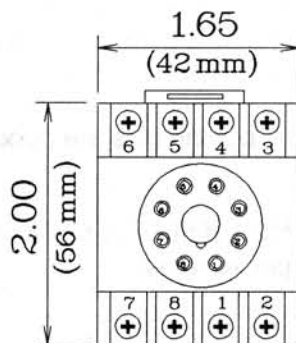


Note: DIN5-2 is available without pull-up resistors. Add "-PDO" Option to Part Number.

Schematic



DIN8



Note(s):

1. Dimensions are in inches except where noted otherwise and are for reference only.
2. DIN8 Field terminal numbers correspond with socket pin numbered locations. (i.e. 1-1, 2-2...)