

Adapters & Sockets

DIN-102R

Universal Socket

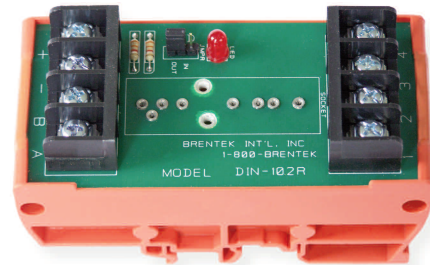
I/O Compatibility
(see Compatibility Chart)

Overview

DIN Rail mounted sockets offer convenient mounting and wiring of I/O modules.

The **DIN-102R** socket has a universal socket pattern which will accept all industry-standard Single and Dual I/O module types. See *Socket Compatibility Chart* below for specific module compatibility.

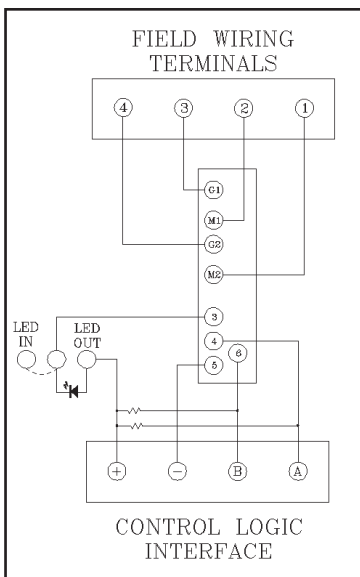
Full-size barrier screw-clamp terminals are provided for all field connections and an on-board LED is jumper-selected for ON/OFF indication of modules without integral LED indicators.



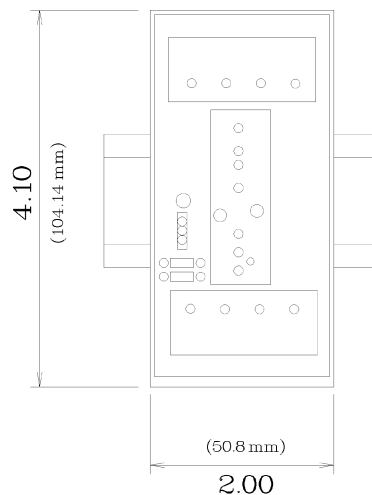
Product Features

- ▶ Mounts to 32mm & 35mm DIN Rails
- ▶ Accepts Any Single or Dual Module
- ▶ On-Board LED Indicator
- ▶ Barrier Screw-clamp Terminals
- ▶ 12-22 AWG Wire Gauge Range
- ▶ 3 Year Limited warranty**

Schematic Diagram



Dimensions



Dimensions are in inches except where noted otherwise.

Compatibility Chart

| | DIN-102R |
|--------------------|--------------------------------------|
| Standard 0.6" Case | x |
| OAC/ODC/IDC/IAC | x |
| 70 Types | x |
| "SM" Types | x |
| "M" Types | x |
| 70M Types | x |
| G-Series | x |
| G4 Types | x |
| 70G/G5 Types | x |
| C4 Types | x |
| DUAL Gx2™-Series | x |
| Features | Universal Hole Pattern LED Jumper |
| DIN RAIL Type(s) | 32, 35mm |

Part Numbering

DIN-102R (Standard Model)

Model DIN-102R-PDO Available (On-board logic pull-up resistors removed for non-standard *SOURCING LOGIC* Compatible applications)

** Refer to warranty section for limited warranty details.