

Adapters & Sockets

IDC50-TB26

'Plug-on' Interface

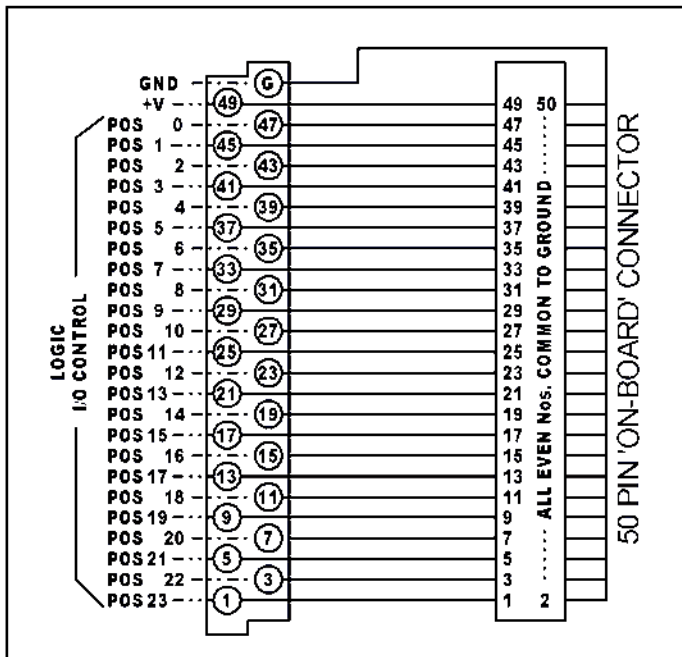
I/O Compatibility
Industry Standard I/O Racks

Overview

The **IDC50-TB26** adapter board provides a wiring terminal interface to I/O logic control lines via the 'on-board' 50 pin connector.

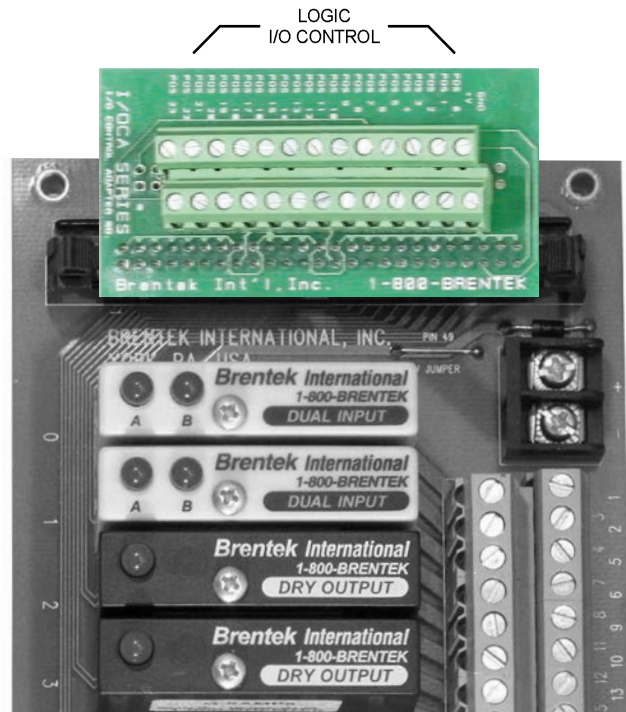
The **IDC50-TB26** adapter board plugs directly onto the IDC 50 pin IDC connector of any Industry Standard I/O Mounting Rack (*controls up to 24 positions*). Terminals are provided for I/O logic control lines (Position 0 to position 23), (+V) and Common (GND). The 26 position terminal block accepts wire sizes ranging from 16 to 24 AWG.

Schematic Diagram



Part Numbering

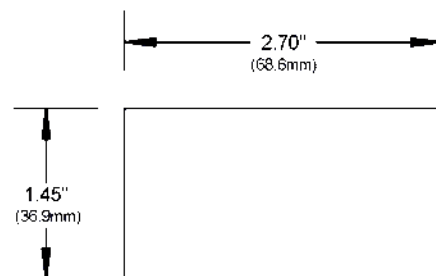
IDC50-TB26 (Standard Model)



Product Features

- ▶ Mounts to 'On-Board' 50 Pin IDC
- ▶ Controls Up to 24 I/O Points
- ▶ Fits Industry Standard I/O Racks
- ▶ Accepts 16-24 AWG Wire
- ▶ 3 Year Limited warranty**

Dimensions



Dimensions are in inches except where noted otherwise.

** Refer to warranty section for limited warranty details.

TABLE 1
Industry Standard I/O RACKS

| IDC50 TERMINAL NAME | SINGLE I/O MODULE CONTROL LINE | IDC50 CONNECTOR PIN NAME |
|---------------------------|--------------------------------------|--------------------------------|
| POS 0 | 0 | 47 |
| POS 1 | 1 | 45 |
| POS 2 | 2 | 43 |
| POS 3 | 3 | 41 |
| POS 4 | 4 | 39 |
| POS 5 | 5 | 37 |
| POS 6 | 6 | 35 |
| POS 7 | 7 | 33 |
| POS 8 | 8 | 31 |
| POS 9 | 9 | 29 |
| POS 10 | 10 | 27 |
| POS 11 | 11 | 25 |
| POS 12 | 12 | 23 |
| POS 13 | 13 | 21 |
| POS 14 | 14 | 19 |
| POS 15 | 15 | 17 |
| POS 16 | 16 | 15 |
| POS 17 | 17 | 13 |
| POS 18 | 18 | 11 |
| POS 19 | 19 | 9 |
| POS 20 | 20 | 7 |
| POS 21 | 21 | 5 |
| POS 22 | 22 | 3 |
| POS 23* | 23* | 1* |
| +V* | +V * | 49* |
| GND | GND | 2-50 EVEN Nos. |

TABLE 2
UNI-Series Universal I/O RACKS

| IDC50 TERMINAL NAME | SINGLE I/O MODULE CONTROL LINE | DUAL I/O MODULE CONTROL LINE | IDC50 CONNECTOR PIN NAME |
|---------------------------|--------------------------------------|------------------------------------|--------------------------------|
| POS 0 | 0 | 0A | 47 |
| POS 1 | 1 | 1A | 45 |
| POS 2 | 2 | 2A | 43 |
| POS 3 | 3 | 3A | 41 |
| POS 4 | 4 | 4A | 39 |
| POS 5 | 5 | 5A | 37 |
| POS 6 | 6 | 6A | 35 |
| POS 7 | 7 | 7A | 33 |
| POS 8 | -- | 0B | 31 |
| POS 9 | -- | 1B | 29 |
| POS 10 | -- | 2B | 27 |
| POS 11 | -- | 3B | 25 |
| POS 12 | -- | 4B | 23 |
| POS 13 | -- | 5B | 21 |
| POS 14 | -- | 6B | 19 |
| POS 15 | -- | 7B | 17 |
| +V | N/C | N/C | 49 |
| GND | GND | GND | 2-50 EVEN Nos. |

***Application Note:**

TABLE 1 - Connection assignments to Industry Standard I/O mounting racks. Control lines for I/O points 0-22 are as shown. However, the use assignments for pins 1 and 49 may vary depending on manufacturer and model of I/O Rack. For 24 position I/O racks, pin 1 is the logic I/O line for Position 23. On other models, pin 1 & 49 may be N/C or connected to V+. Please verify with the I/O rack schematic during design.

TABLES 2 & 3 show assignments for I/O mounting racks manufactured by **Brentek** and featured in this Engineering Catalog.

TABLE 3
HDX-Series™ High-Density I/O RACKS

| IDC50 TERMINAL NAME | SINGLE I/O MODULE CONTROL LINE | DUAL I/O MODULE CONTROL LINE | IDC50 CONNECTOR PIN NAME |
|---------------------------|--------------------------------------|------------------------------------|--------------------------------|
| POS 0 | 0 | 0A | 47 |
| POS 1 | | 0B | 45 |
| POS 2 | 1 | 1A | 43 |
| POS 3 | | 1B | 41 |
| POS 4 | 2 | 2A | 39 |
| POS 5 | | 2B | 37 |
| POS 6 | 3 | 3A | 35 |
| POS 7 | | 3B | 33 |
| POS 8 | 4 | 4A | 31 |
| POS 9 | | 4B | 29 |
| POS 10 | 5 | 5A | 27 |
| POS 11 | | 5B | 25 |
| POS 12 | 6 | 6A | 23 |
| POS 13 | | 6B | 21 |
| POS 14 | 7 | 7A | 19 |
| POS 15 | | 7B | 17 |
| POS 16 | 8 | 8A | 15 |
| POS 17 | | 8B | 13 |
| POS 18 | 9 | 9A | 11 |
| POS 19 | | 9B | 9 |
| POS 20 | 10 | 10A | 7 |
| POS 21 | | 10B | 5 |
| POS 22 | 11 | 11A | 3 |
| POS 23 | | 11B | 1 |
| +V | +V (JUMPERED) | +V (JUMPERED) | 49 |
| GND | GND | GND | 2-50 EVEN Nos. |